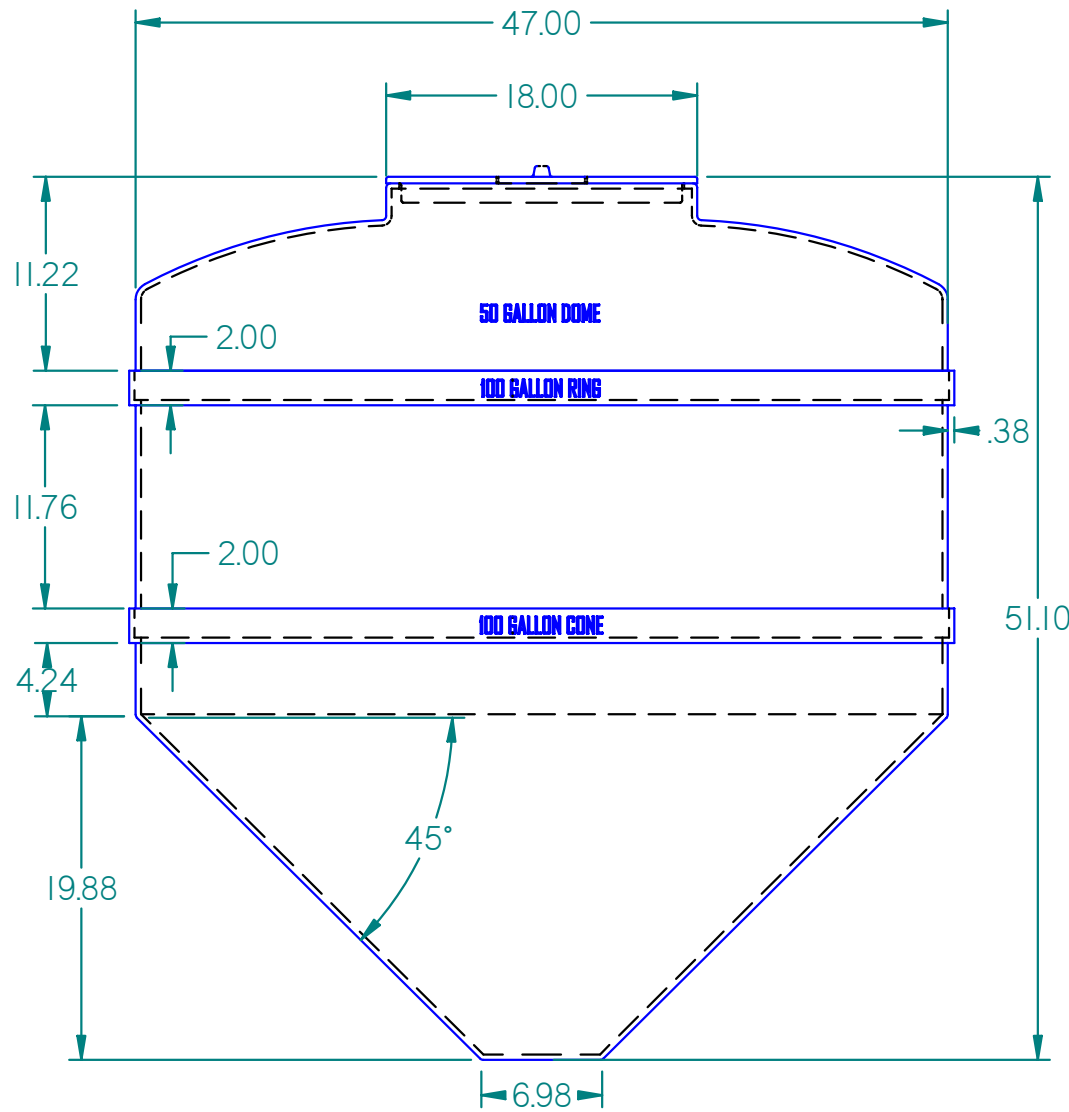
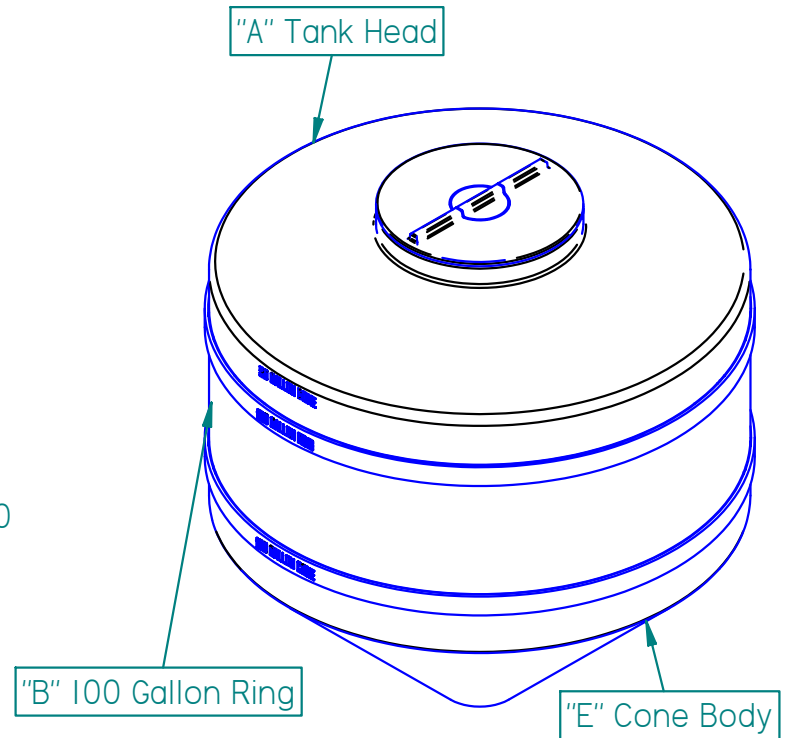


REVISION HISTORY

REV	DESCRIPTION	DATE	APPROVED
	APPROVED FOR PRODUCTION	10/1/2003	



Front View



ISO View

Tank Mold Assembly Requires "A" Tank Head, "B" 100 Gallon Ring, and "E" Tank Cone Sections.

		8/29/2003

DURAWELD

Innovative Plastic Solutions

250 Gallon Cone Tank

LMDPE Natural

930250HD

74.438 lbm