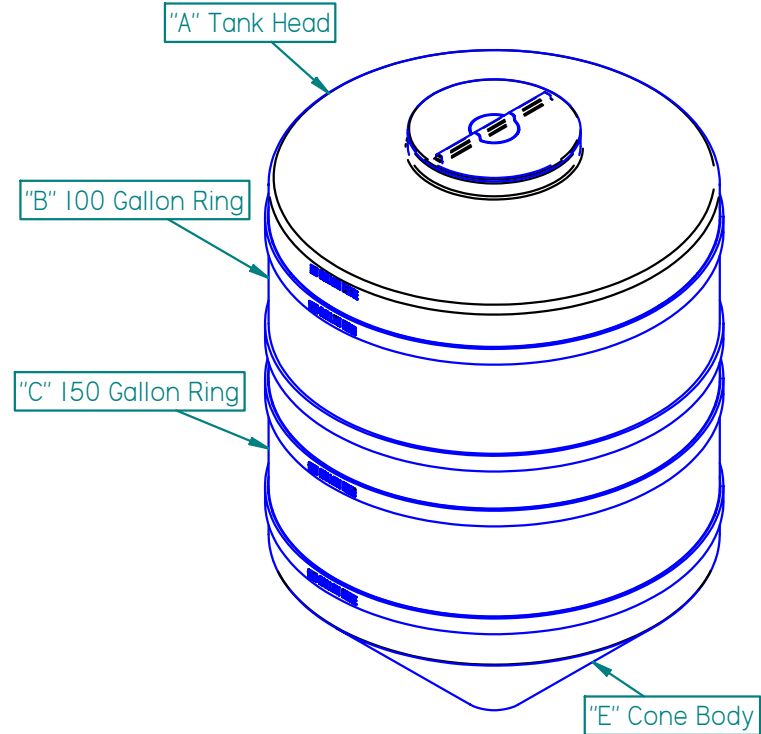


Front View

Tank Mold Assembly Requires "A" Tank Head, "B" 100 Gallon Ring, "C" 150 Gallon Ring, and "E" Tank Cone Sections.

REVISION HISTORY			
REV	DESCRIPTION	DATE	APPROVED
	APPROVED FOR PRODUCTION	10/1/2003	



ISO View

		8/29/2003

DURAWELD
Innovative Plastic Solutions
 400 Gallon Cone Tank
 LMDPE Natural

93040IHD	118.590 lbm
----------	-------------