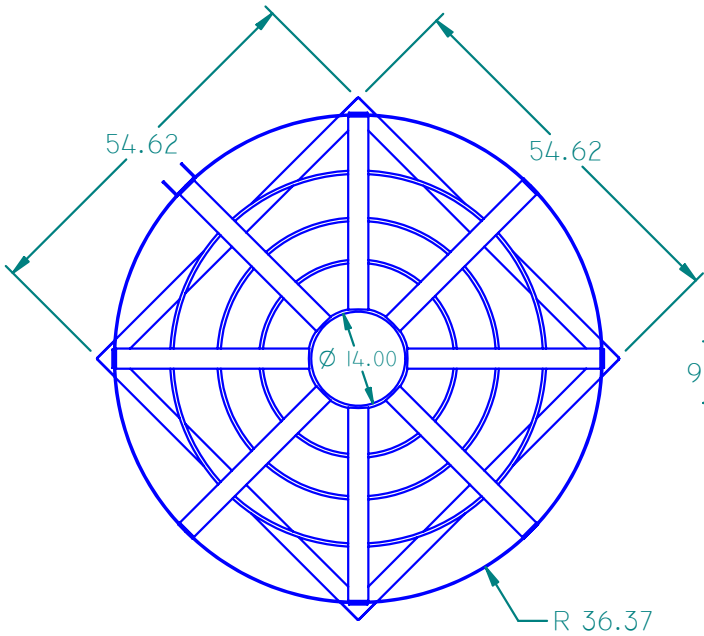
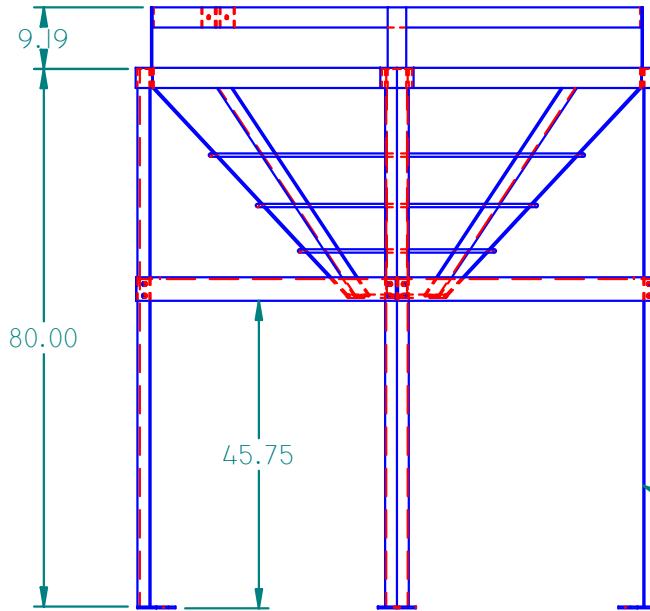


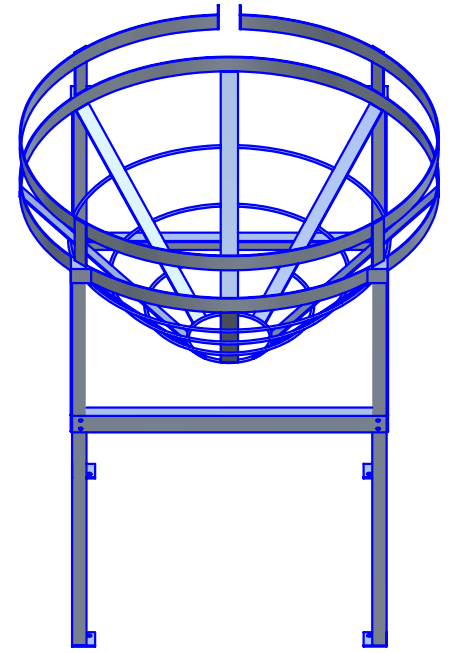
REVISION HISTORY			
REV	DESCRIPTION	DATE	APPROVED



TOP VIEW

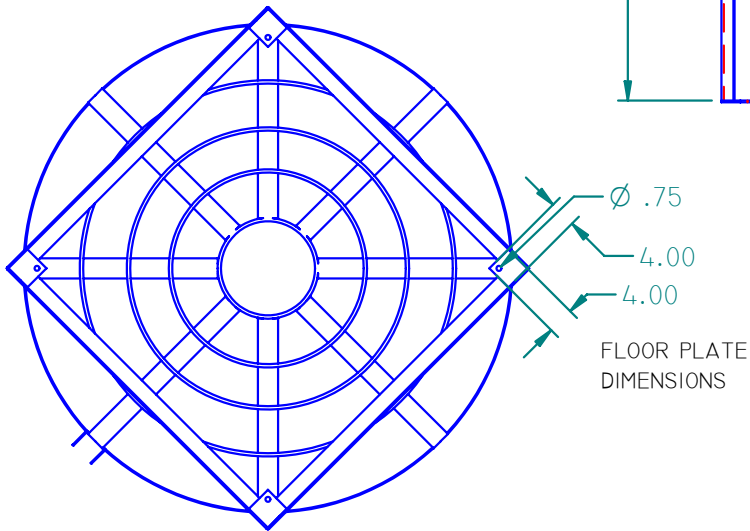


FRONT VIEW



ISO VIEW

2-1/2" x 2-1/2" SINGLE ANGLE LEGS



BOTTOM VIEW

FLOOR PLATE DIMENSIONS

STANDARD DUTY 72" CONE  
BOTTOM STAND FOR 910350,  
910500 AND 910700 CONE  
TANKS

WALL THICKNESS:

UNLESS OTHERWISE SPECIFIED  
DIMENSIONS ARE IN INCHES  
ANGLES ±0.5°  
2 PL ±0.125" 3 PL ±0.060"

**DURAWELD**

*Innovative Plastic Solutions*

	NAME	DATE
DRAWN	MPUTT	7/15/2004
CHECKED		
ENG APPR		
MGR APPR		

TITLE 72" CONE STAND LEG BRACE		
SIZE A	CARBON STEEL PAINTED	REV

930001

WEIGHT:

SHEET 1 OF 6