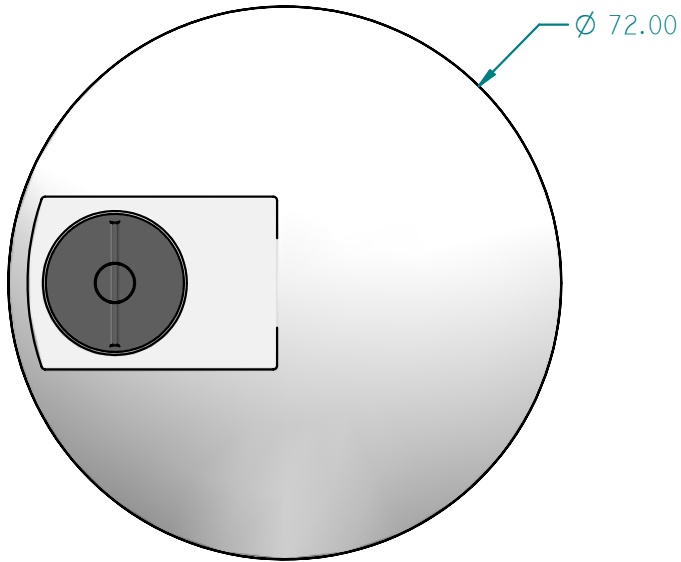
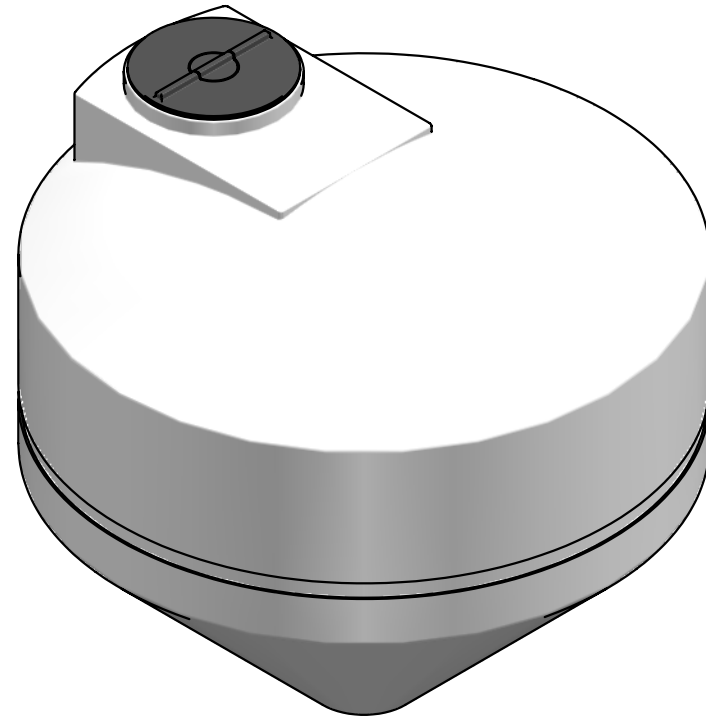


REVISION HISTORY

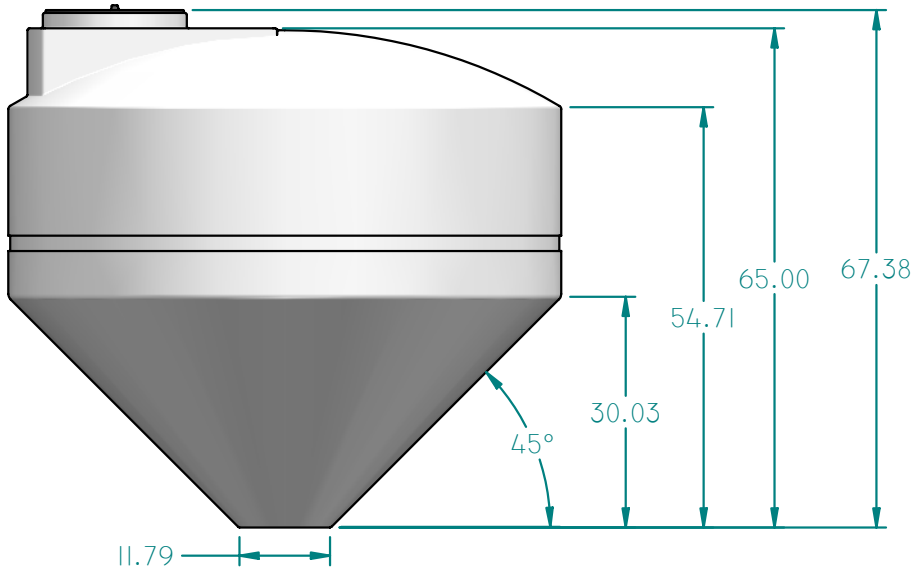
REV	DESCRIPTION	DATE	APPROVED



TOP VIEW



ISO VIEW



SIDE VIEW

WALL THICKNESS: .230"

TANK CAPACITY: 700 GALLONS

	NAME	DATE
DRAWN	MPUTT	4/27/2008
CHECKED		
ENG APPR		
MGR APPR		

DURAWELD

Innovative Plastic Solutions

TITLE 700 GALLON CONE TANK		
SIZE A	HDPE NATURAL 1.2 SPG	REV

UNLESS OTHERWISE SPECIFIED
DIMENSIONS ARE IN INCHES
ANGLES ±0.5°
2 PL ±0.125" 3 PL ±0.060"

910700	WEIGHT: 147.081 LBM	SHEET 1 OF 1
--------	---------------------	--------------