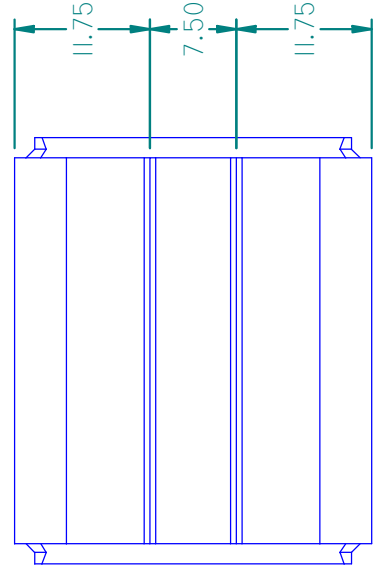
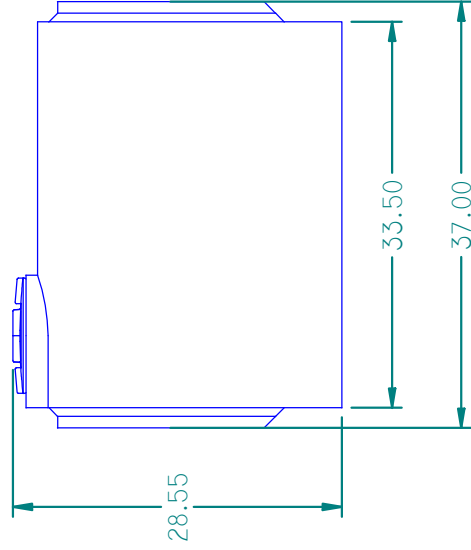
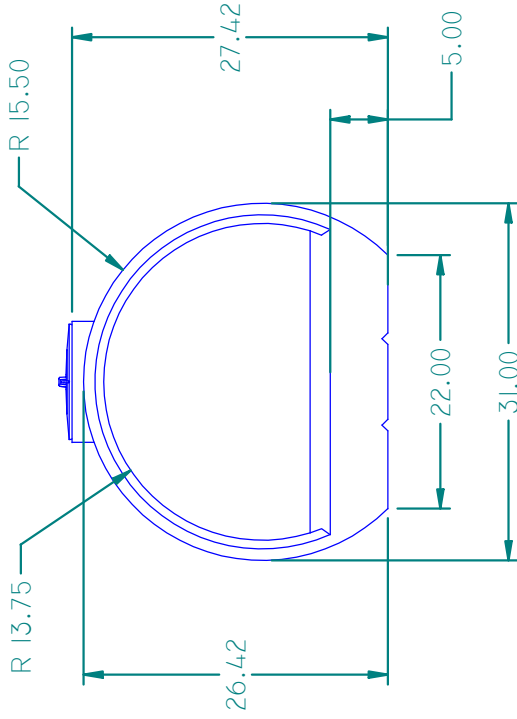
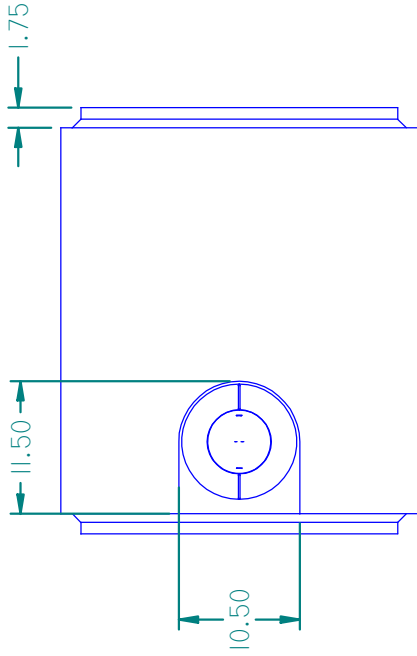
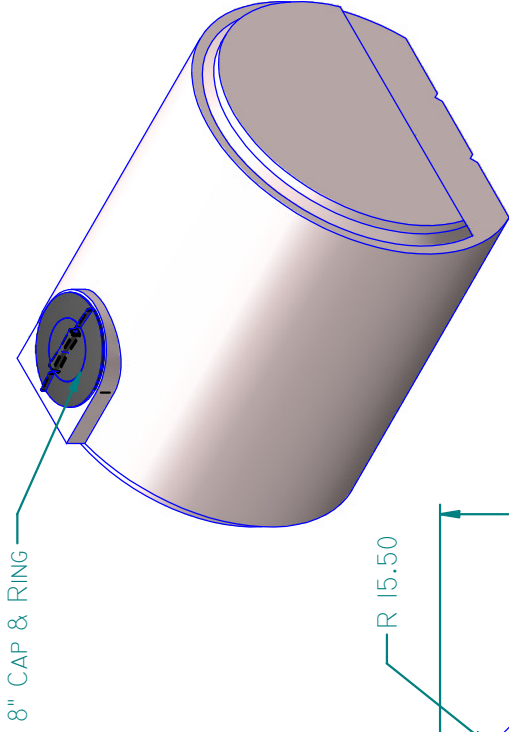


REVISION HISTORY

REV	DESCRIPTION	DATE	APPROVED



WALL THICKNESS: 0.250"

MNEGRON	1/10/2006

H-100 GALLON HORIZONTAL TANK
POLYETHYLENE, LOW DENSITY
REV

FILE NAME: 100 GAL LOAF TANK.DFT

PART#: 920100 WEIGHT: 46.265 LBM SHEET 1 OF 1