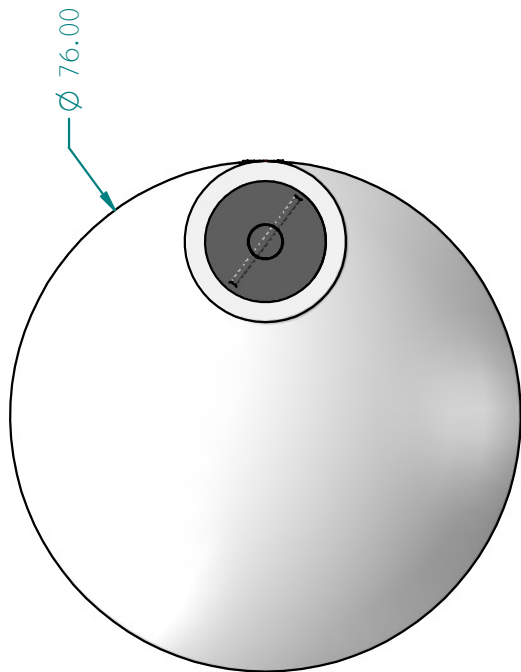


DURAWELD

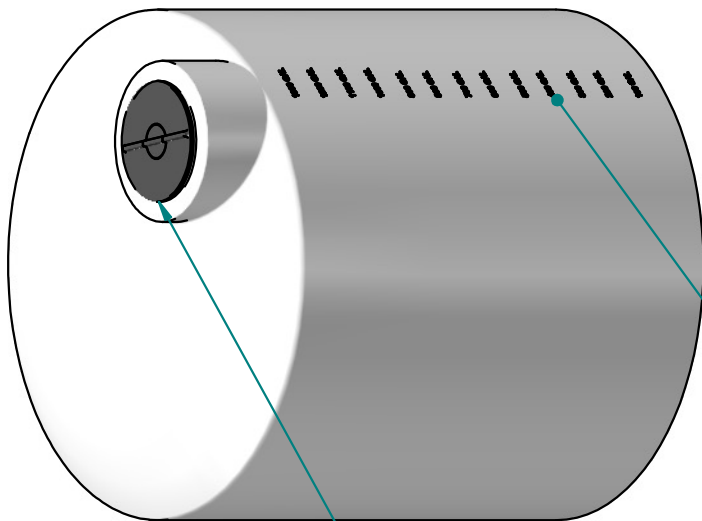
Innovative Plastic Solutions

REVISION HISTORY

REV	DESCRIPTION	DATE	APPROVED

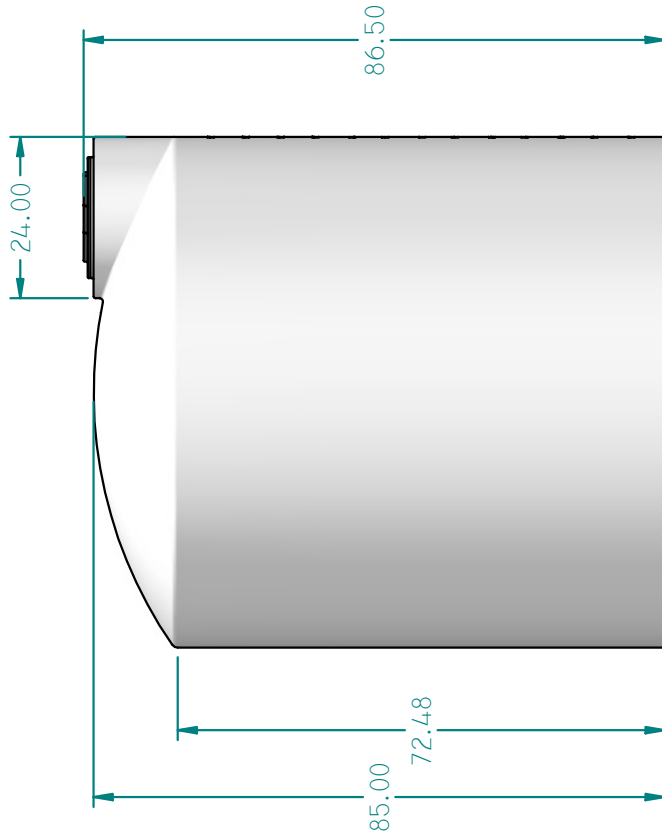


TOP VIEW



ISO VIEW

TANK IS CALIBRATED
IN 100 GAL INCREMENTS



SIDE VIEW

WALL THICKNESS: 0.280"

NAME	DATE
DRAWN MNEGRON	12/13/2008
CHECKED	
ENG APPR	
MGR APPR	

UNLESS OTHERWISE SPECIFIED
DIMENSIONS ARE IN INCHES
ANGLES ±0.5°
2 PL ±0.125" 3 PL ±0.060"

TITLE V-1550 GALLON TANK

SIZE A MATERIAL: LMDPE NATURAL (100) REV

FILE NAME: 901600.DFT

PART #: 901600 WEIGHT: 224.994 LBM SHEET 1 OF 1